

MSI-4300
Port-A-Weigh Plus

DIGITAL CRANE SCALE



**Measurement Systems
International™**

A RICE LAKE WEIGHING SYSTEMS COMPANY

MSI-4300 PORT-A-WEIGH PLUS

DIGITAL CRANE SCALE

The Port-A-Weigh Plus is world renowned for safe and reliable use in heavy-duty industrial crane scale applications. No other crane scale compares with the advanced features and benefits provided by the MSI-4300.

Port-A-Weigh Plus includes an extra large 1.6 inch (40 mm) alphanumeric LCD display with adjustable backlighting providing user-friendly visibility from a distance in day or night conditions. Full digital calibration and self-diagnostic circuitry ensure simple and cost-effective maintenance over a long and useful product life. All electronics are securely shock mounted in a robust NEMA 4/IP66 enclosure including dual O-ring sealing gaskets to ensure watertight integrity in washdown and marine applications. The Port-A-Weigh Plus is the ideal crane scale for all heavy-duty applications in nearly any industrial environment.



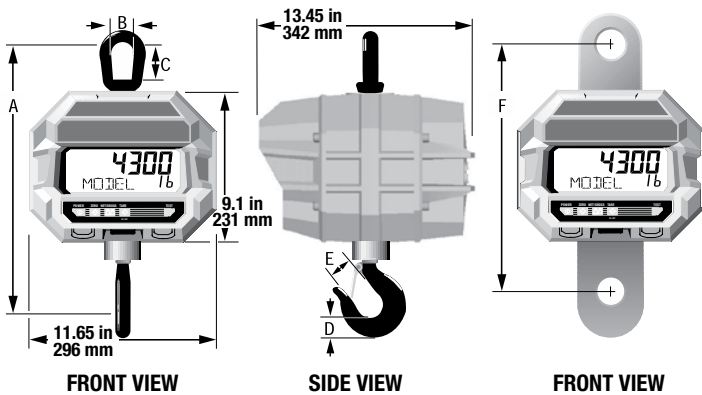
Specifications

Accuracy:	+ (0.1% +1 d) of applied load
Resolution:	3000 to 5000 d standard (Up to 10,000 d available)
Enclosure:	NEMA 4, IP66, marine grade 356 alloy anodized cast aluminum
Top Lifting Eye, Shackle & Hook:	Crosby® or equal with 360° thrust-bearing swivel hook
Design Overload:	200% Safe / 500% Ultimate (except as noted)
Functions:	POWER, ZERO, NET/GROSS, TARE and programmable TEST/USER
Display:	Six-digit, 1.6 in (40 mm) LCD (upper) Eight-digit, 0.8 in (20 mm) LCD (lower) with adjustable display contrast
Displayable Units:	Pounds, Kilograms, Tons, and Metric Tons selectable
Power:	12 Volt rechargeable battery. 115/230VAC battery charger included
Operating Time:	300 hours with typical use
Operating Temperature:	5°F to 122°F (-15°C to 50°C)
Filtering:	OFF, LO, Medium and HI selectable

Options and Accessories

- NTEP Certified (contact factory for current USA and International approvals)
- Universal direct power supply: 85-265VAC, 47-440 Hz/130-300VDC
- D-Cell Alkaline battery power
- Substitute shackle for bottom swivel hook (for possible headroom loss reduction)
- Oversized top lifting eye or shackle (for oversized crane hook interface)
- Oversized bottom swivel hook
- Low headroom adapter (for in-block installation)
- Audible alarm
- Marine/Fishing configuration (contact factory for further information)

Specifications and Dimensions



Note: 50/70/100,000 lb models come standard with top shackle and bottom swivel hook.

Capacity	Resolution**	A*	B*	C*	D*	E*	F	Hook	Eye Nut or Shackle	Approx. Shipping Weight
500 lb 250 kg	0.2 lb 0.1 kg	18.3 in 465 mm	2.25 in 57.1 mm	3.06 in 77.7 mm	1.44 in 37.0 mm	1.41 in 36.0 mm	—	5 ton alloy swivel	CR #7 eye nut	53 lb 24 kg
2,000 lb 1,000 kg	1 lb 0.5 kg	18.3 in 465 mm	2.25 in 57.1 mm	3.06 in 77.7 mm	1.44 in 37.0 mm	1.41 in 36.0 mm	—	5 ton alloy swivel	CR #7 eye nut	53 lb 24 kg
5,000 lb 2,500 kg	1 lb 0.5 kg	20.5 in 521 mm	2.50 in 64.0 mm	3.50 in 89.0 mm	1.81 in 46.0 mm	1.69 in 42.9 mm	—	7 ton alloy swivel	CR #8 eye nut	62 lb 28 kg
10,000 lb 5,000 kg	2 lb 1 kg	20.5 in 521 mm	2.50 in 64.0 mm	3.50 in 89.0 mm	1.81 in 46.0 mm	1.69 in 42.9 mm	—	7 ton alloy swivel	CR #8 eye nut	62 lb 28 kg
20,000 lb 10,000 kg	5 lb 2 kg	28.5 in 724 mm	4.00 in 101.6 mm	6.25 in 159 mm	2.62 in 66.5 mm	2.41 in 61.2 mm	—	15 ton alloy swivel	CR #11 eye nut	105 lb 47 kg
30,000 lb 15,000 kg	10 lb 5 kg	30.0 in 762 mm	4.00 in 101.6 mm	6.25 in 159 mm	3.00 in 76.2 mm	3.19 in 81.0 mm	—	22 ton alloy swivel	CR #11 eye nut	125 lb 55 kg
50,000 lb 25,000 kg***	10 lb 5 kg	41.0 in 1041 mm	5.00 in 127 mm	6.00 in 152 mm	3.62 in 92.0 mm	3.63 in 92.0 mm	15.0 in 381 mm	30 ton alloy swivel	CR 25 ton shackle # 2130	235 lb 106 kg
70,000 lb**** 35,000 kg****	20 lb 10 kg	43.2 in 1097 mm	5.00 in 127 mm	6.00 in 152 mm	4.56 in 116 mm	3.75 in 95.0 mm	15.0 in 381 mm	37 ton alloy swivel	CR 40 ton shackle # 2140	270 lb 121 kg
100,000 lb***** 50,000 kg*****	20 lb 10 kg	52.1 in 1324 mm	5.75 in 146 mm	6.65 in 169 mm	5.06 in 129 mm	4.25 in 108 mm	16.25 in 413 mm	CR 45 ton S1 swivel	CR 55 ton shackle # 2140	420 lb 189 kg

CONSULT FACTORY FOR HIGHER CAPACITIES — See MSI-9300HT specification sheet for applications that require powered rotation of lifted material. See also MSI-9300 Port-A-Weigh Plus and MSI-6260CS for heavy duty applications requiring remote radio telemetry display and/or computer interface.

CR = Crosby® or equivalent (Crosby is a registered trademark of The Crosby Group, LLC.)

* These dimensions also apply to 50/70/100,000 lb models with hook and shackle

** Resolution subject to change for NTEP Certified and OIML units

*** Ultimate overload: 490% of kg capacity

**** Ultimate overload: 475% of lb capacity / 430% of kg capacity

***** Ultimate overload: 450% of kg capacity



Lada sin costo **01 800 026 5331**
ventas@akbasculas.com
www.akbasculas.com

¡Atendemos en cualquier punto de la república!