

MSI-9300  
MSI-9300HT  
**Port-A-Weigh Plus**

RF DIGITAL CRANE SCALES



COMPATIBLE WITH:



MSI-9750A



MSI-9850



MSI Scoreboard



MSI-9020



**Measurement Systems  
International™**

A RICE LAKE WEIGHING SYSTEMS COMPANY

# The MSI-9300 and MSI-9300HT RF Digital are Industry's Premier Solutions for Wireless and Process Control Applications

The MSI-9300 and MSI-9300HT crane scales combine an integrated weight display with advanced wireless data processing capability providing versatile solutions in overhead industrial weighing applications. Both crane scale configurations merge MSI's advanced CellScale technology with world-renowned crane scale designs providing local and remote control capabilities along with connectivity with plant information systems.

Both models feature industrial-grade, shock-mounted electronics, watertight packaging with large ultra-bright displays readable at distances up to 50 feet (15m). Integrated CellScale technology offers the ability to effectively monitor and control single or multiple crane scales from multiple locations throughout plant operations. Wireless, real-time transmission of weight and product information can be processed through a system-configured network of CellScale components from distances up to 1000 feet (300m) with standard antennas. Operating range can be further increased with optional antennas configured with other networked CellScale components.

Both fixed and handheld digital weight indicators are available in addition to RF modems for wireless connectivity with peripheral computers and scoreboards. Optional 802.11b/g Ethernet connectivity is also supported for adaptation and integration with existing plant information systems.

The MSI-9300 is available in a standard range of capacities, up to 50 tons. Larger and application specific designs are available for capacities over 50 tons. Additional options and configurations are also available for mill and foundry over high temperature ladle installations.

The MSI-9300HT (High Torque) is a unique crane scale configuration specially designed for heavy capacity coil handling applications, up to 35 tons. A fixed hook is featured for interface compatibility with crane hooks equipped with powered rotation and where high torque conditions exist between the crane hook and load.

Please see specifications for other CellScale family components complementing the MSI-9300 and MSI-9300HT, including: MSI-9000, MSI-9020, MSI-9850, MSI-9750A and MSI RF scoreboards. CellScale products provide configurable system solutions to satisfy nearly any wireless weighing application.

## Optional MSI-9300 Retrofit Kit

MSI-9300 Retrofit Kit integrates CellScale™ technology with existing MSI-4300 Port-A-Weigh Plus crane scales. The retrofit kit replaces the existing front and back castings of the MSI-4300. After conversion, the new MSI-9300 adapts easily into any CellScale network.



*MSI-4300  
Port-A-Weigh Plus  
center-section*

# Crane Scales Overhead Weighing

## Optional Components

MSI-9300HT  
shown with  
optional shackle



MSI-9300



MSI-9750A



MSI-9850



MSI Scoreboard



MSI-9020



# MSI-9300 and MSI-9300HT PORT-A-WEIGH PLUS

## RF DIGITAL CRANE SCALES

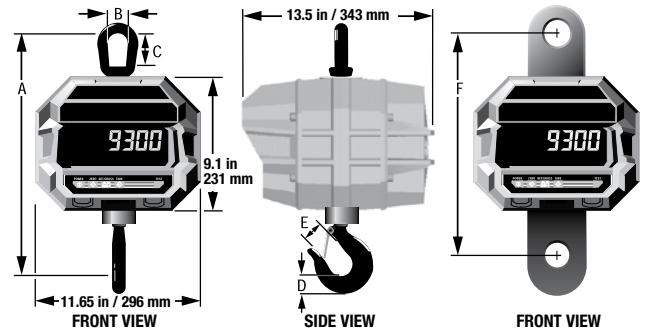
### Specifications

<b>Accuracy:</b>	±(0.1% +1 d) of applied load
<b>Resolution:</b>	3000 to 5000 d standard (Up to 10,000 d available)
<b>Enclosure:</b>	NEMA 4, IP66, marine grade 356 alloy anodized cast aluminum
<b>Lifting Eye, Shackle &amp; Hook:</b>	MSI-9300 Crosby® or equal with 360° thrust-bearing swivel hook. MSI-9300HT shackle is optional and Crosby fixed hook provided as standard.
<b>Design Overload:</b>	200% Safe / 500% Ultimate (except where noted)
<b>Functions:</b>	POWER, ZERO, NET/GROSS, TARE and Programmable TEST/USER
<b>Display:</b>	Six-digit, 1.2 in (30 mm) LED with 14 feature annunciators and programmable brightness control
<b>Displayable Units:</b>	Pounds or Kilograms selectable
<b>Power:</b>	12 Volt Rechargeable Battery, 115-230 VAC battery charger included
<b>Operating Time:</b>	Up to 30 hours between charging with typical use
<b>Operating Temperature:</b>	-4°F to 158°F (-20°C to 70°C)
<b>Filtering:</b>	LO, Medium and HI selectable
<b>Radio Link:</b>	FHSS at 2.4 GHz (up to 64 network selections)
<b>Radio Effective Range:</b>	Typically 500 ft (150 m) indoor, 1000 ft (300 m) outdoor with standard antennas.
<b>Approvals:</b>	NTEP CC 07-007 for capacities 5,000–70,000 lb (2,500–35,000 kg)

### Options and Accessories

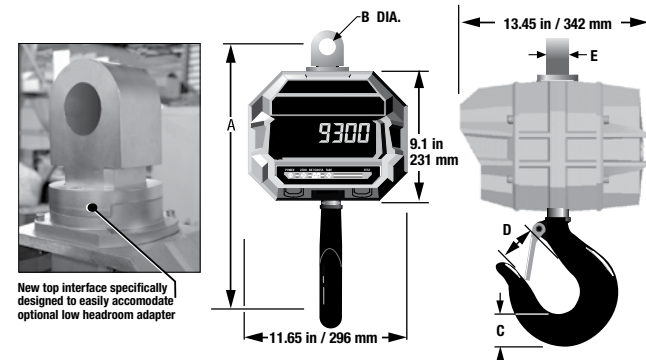
- RF remote controller - includes On/Off, Zero, Tare, Net/Gross, Total, View Sum and programmable function keys (typical range 50 ft / 15 m)
- Universal direct power supply; 85-265VAC, 47-440 Hz / 130-300VDC
- Crosby or equivalent top shackle for MSI-9300HT configuration
- Substitute shackle for bottom swivel hook (for possible headroom loss reduction)
- Oversized top lifting eye or shackle (for oversized crane hook interface)
- Oversized bottom swivel hook
- Low headroom adapter (for in-block installation)
- Anti-heat shielding (for high temperature mill and foundry applications)
- Ethernet 802.11 b/g connectivity
- Audible alarm

### MSI-9300 Specifications and Dimensions



Note: 50/70/100,000 lb models come standard with top shackle and bottom swivel hook.

### MSI-9300HT Specifications and Dimensions



Note: Standard hook orientation shown. Please specify if alternate orientation is required.  
Note: 50/70/100,000 lb models come standard with top shackle and bottom swivel hook.

Capacity	Resolution**	A*	B*	C*	D*	E*	F	Hook	Eye Nut or Shackle	Shipping Weight
500 lb	0.2 lb	18.3 in	2.25 in	3.06 in	1.44 in	1.41 in	—	5 ton alloy swivel	CR # 7 eye nut	53 lb
250 kg	0.1 kg	465 mm	57.1 mm	77.7 mm	37.0 mm	36.0 mm	—	5 ton alloy swivel	CR # 7 eye nut	24 kg
2,000 lb	1 lb	18.3 in	2.25 in	3.06 in	1.44 in	1.41 in	—	5 ton alloy swivel	CR # 7 eye nut	53 lb
1,000 kg	0.5 kg	465 mm	57.1 mm	77.7 mm	37.0 mm	36.0 mm	—	5 ton alloy swivel	CR # 7 eye nut	24 kg
5,000 lb	1 lb	20.5 in	2.50 in	3.50 in	1.81 in	1.69 in	—	7 ton alloy swivel	CR # 8 eye nut	62 lb
2,500 kg	0.5 kg	521 mm	64.0 mm	89.0 mm	46.0 mm	42.9 mm	—	7 ton alloy swivel	CR # 8 eye nut	28 kg
10,000 lb	2 lb	20.5 in	2.50 in	3.50 in	1.81 in	1.69 in	—	7 ton alloy swivel	CR # 8 eye nut	62 lb
5,000 kg	1 kg	521 mm	64.0 mm	89.0 mm	46.0 mm	42.9 mm	—	7 ton alloy swivel	CR # 8 eye nut	28 kg
20,000 lb	5 lb	28.5 in	4.00 in	6.25 in	2.62 in	2.41 in	—	15 ton alloy swivel	CR # 11 eye nut	105 lb
10,000 kg	2 kg	724 mm	101.6 mm	159 mm	66.5 mm	61.2 mm	—	15 ton alloy swivel	CR # 11 eye nut	47 kg
30,000 lb	10 lb	30.0 in	4.00 in	6.25 in	3.00 in	3.19 in	—	22 ton alloy swivel	CR # 11 eye nut	125 lb
15,000 kg	5 kg	762 mm	101.6 mm	159 mm	76.2 mm	81.0 mm	—	22 ton alloy swivel	CR # 11 eye nut	55 kg
50,000 lb	10 lb	41.0 in	5.00 in	6.00 in	3.62 in	3.63 in	15.0 in	30 ton alloy swivel	CR 25 ton shackle # 2130	235 lb
25,000 kg***	5 kg	1041 mm	127 mm	152 mm	92.0 mm	92.0 mm	381 mm	30 ton alloy swivel	CR 25 ton shackle # 2130	106 kg
70,000 lb****	20 lb	43.2 in	5.00 in	6.00 in	4.56 in	3.75 in	15.0 in	37 ton alloy swivel	CR 40 ton shackle # 2140	270 lb
35,000 kg****	10 kg	1097 mm	127 mm	152 mm	116 mm	95.0 mm	381 mm	37 ton alloy swivel	CR 40 ton shackle # 2140	121 kg
100,000 lb*****	20 lb	52.1 in	5.75 in	6.65 in	5.06 in	4.25 in	16.25 in	CR 45 ton S1 swivel	CR 55 ton shackle # 2140	420 lb
50,000 kg*****	10 kg	1324 mm	146 mm	169 mm	129 mm	108 mm	413 mm	CR 45 ton S1 swivel	CR 55 ton shackle # 2140	189 kg

### MSI-9300HT

Capacity	Resolution	Maximum Torque	A	B	C	D	E	Fixed Hook	Shipping Weight	Optional Top Shackle
30,000 lb	10 lb	560 ft/lb	23.5 in	1.69 in	3.00 in	3.19 in	2.25 in	22 ton alloy	135 lb	17 ton
15,000 kg	5 kg	759 Nm	596.9 mm	42.9 mm	76.2 mm	81.0 mm	57.2 mm	22 ton alloy	61 kg	17 ton
70,000 lb	20 lb	1500 ft/lb	30.5 in	2.06 in	4.56 in	3.75 in	2.75 in	37 ton alloy	290 lb	40 ton
35,000 kg	10 kg	2033 Nm	774.7 mm	52.0 mm	116.0 mm	95.0 mm	69.9 mm	37 ton alloy	132 kg	40 ton
120,000 lb	50 lb	4,000 ft/lb	39.25 in	2.31 in	6.00 in	4.12 in	3.13 in	60 ton alloy	550 lb	55 ton
55,000 kg	20 kg	5400 Nm	997.0 mm	58.7 mm	152.4 mm	104.6 mm	79.5 mm	60 ton alloy	250 kg	55 ton

CONSULT FACTORY FOR HIGHER CAPACITIES – See MSI-9300HT specification sheet for applications that require fixed hooks and/or use with powered rotators.

CR = Crosby or equivalent (Crosby is a registered trademark of The Crosby Group, LLC.)

\* These dimensions also apply to 50/70/100,000 lb models with hook and shackle

\*\* Resolution subject to change for NTEP Certified and OIML units

\*\*\* Ultimate overload: 490% of kg capacity

\*\*\*\* Ultimate overload: 475% of lb capacity / 430% of kg capacity

\*\*\*\*\* Ultimate overload: 450% of kg capacity



Lada sin costo **01 800 026 5331**  
**ventas@akbasculas.com**  
**www.akbasculas.com**

¡Atendemos en cualquier punto de la república!